

# PATROL LIGHT

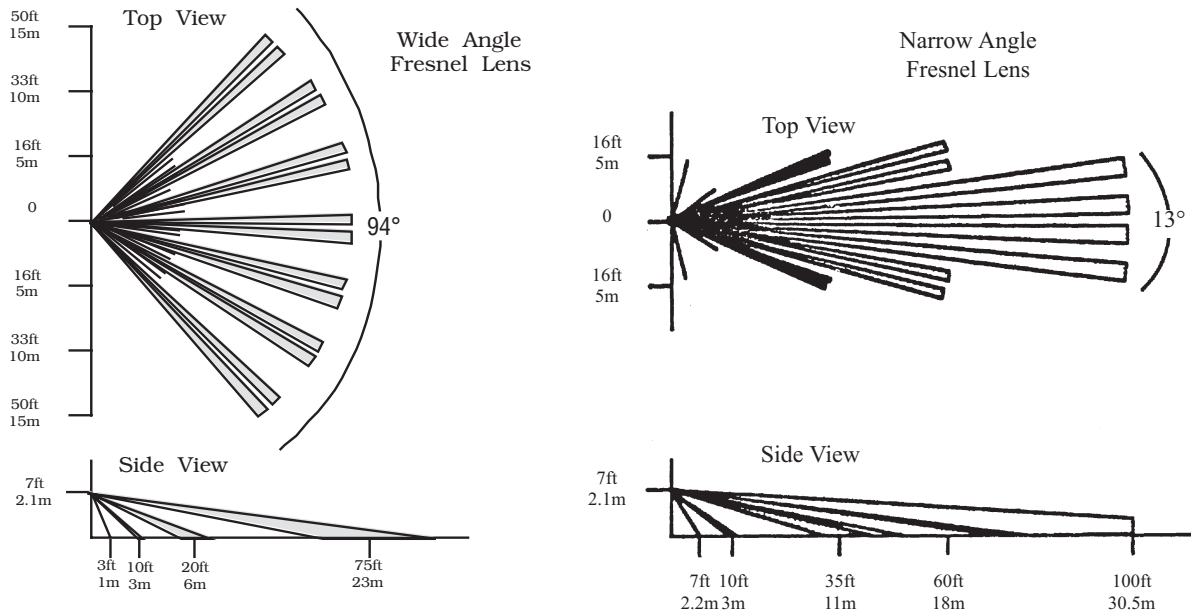
# TECHNICAL SPECIFICATIONS

## DETECTION

- Proprietary, dual elements passive infrared detection and decision circuits
- True “people” detection...not simple motion sensing
- May be used in areas with ceiling fans

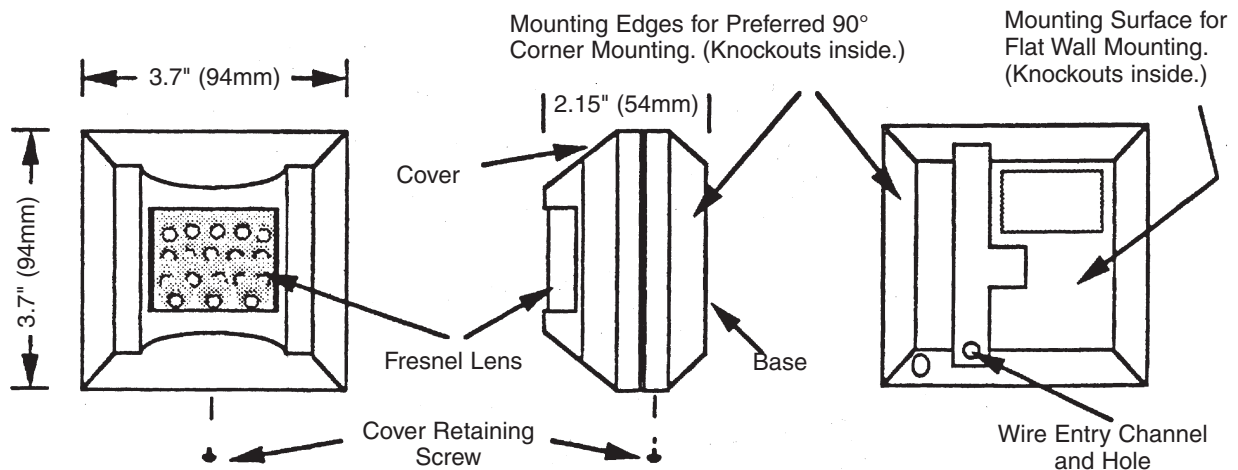
## OPTICS SYSTEM

- High quality, wide angle, 20 element fresnel lens with 94° field-of-view
- Covers up to 3600 sq. ft. (334 sq.m) when mounted 6-8 ft. (1.8-2.4 m) high
- Includes narrow angle, 12 element, 13° long-range lens for detection in hallways up to 100 ft. (30.5 m) long



## ENCLOSURE

- High impact styrene in medium beige color; each edge of base beveled at 45°
- Mounts in a wall/wall corner or ceiling/wall corner to look over partitions
- Wire channel in back allows flat wall mounting at 6-8 ft. or mounting on a standard J-box using a light switch plate as an adapter
- Circuit board “pops” out of enclosure base for easy installation and servicing



**INPUT POWER**

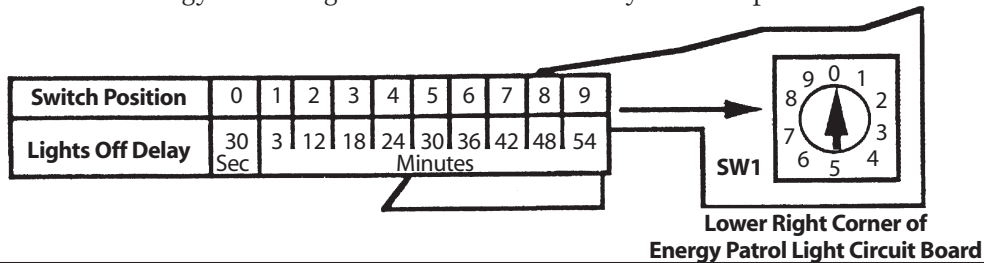
- Powered from a small, UL/CSA low-voltage transformer of 24 vac, 15-20 VA
- Operates from the switched light circuit...NO SEPARATE “HOT” POWER SOURCE IS REQUIRED, EXCEPT WITH DIMMER CIRCUITS
- Conventional light switch continues to be used; no training is required
- Compatible with 3-way switched circuits and dimmers

**OUTPUT CONTROL**

- Low energy pulsed ON/OFF output directly operates up to three General Electric RR-7 Remote Control Relays. DO NOT CONNECT OTHER RELAYS
- Each RR-7 is rated for both incandescent and fluorescent lighting up to 2000 watts at 120 vac, or 4000 watts at 277 vac
- Additional isolated, low voltage Form C contacts to operate external relays, lamps, meters, or other devices at a maximum of 3 amps, 24 vac/vdc

**OFF DELAY TIME**

- Time delay to lights “off” is adjustable by an internal 10 position rotary switch
- Delay adjustable from 3 minutes to 54 minutes in .1 hour (6 min.) increments
- Position “0” provides a 30 second TEST delay
- Energy Patrol Light cannot be disabled by the occupants



**COMPONENTS/  
WIRING**

- Low voltage Sensor wiring is not normally required to be in conduit
- UL/CSA listed Class 2 Transformer and Remote Control Relay components
- Energy Patrol Light is protected against line transients and accidents by an internal 1 amp fuse and MOV surge suppressor
- Components are interconnected with low-cost 22 ga./3 pair telephone cable

**AUXILIARY  
SENSORS**

- Compatible with multiple Energy Patrol System Auxiliary Sensors for coverage of large or irregularly shaped rooms and L-shaped hallways

**ORDERING  
INFORMATION**

- Energy Patrol Light Master Sensor .....P/N 4368800
- Energy Patrol Light 7001 Auxiliary Sensor .....4368701
- General Electric RR-7 Remote Control Relay .....4368843
- Transformer 120/24 vac, 20VA .....4368138
- Transformer 208-240/24 vac, 20VA .....4368140
- Transformer 277/24 vac, 20VA .....4368137

**WARRANTY**

- Backed by US Energy Solutions’ TWO-YEAR Limited Warranty



101 W. Plume Street, Suite 300 ■ Norfolk, Virginia 23510  
757.271.9363  
www.usenergysolutions.net